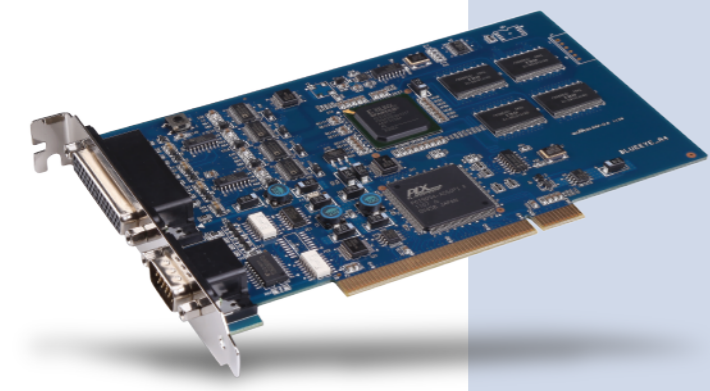


F Frame Grabbers for *Analog* Image Acquisition

BlueEye-A4

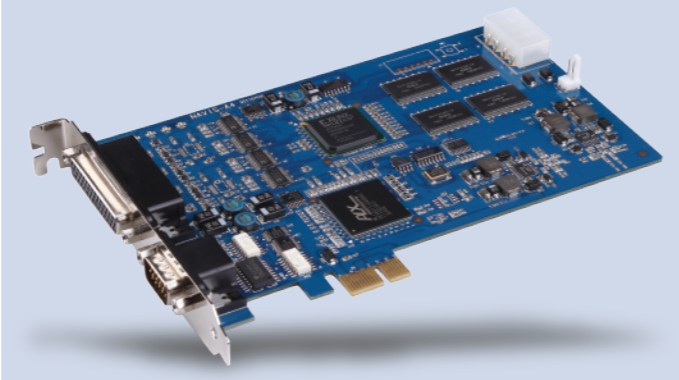
PCI Image Acquisition Board
 Analog | Mono | PCI | 4-Channel Sync/Async Grab | MUX | I/O | NEXL



PCI-Express Image Acquisition Board

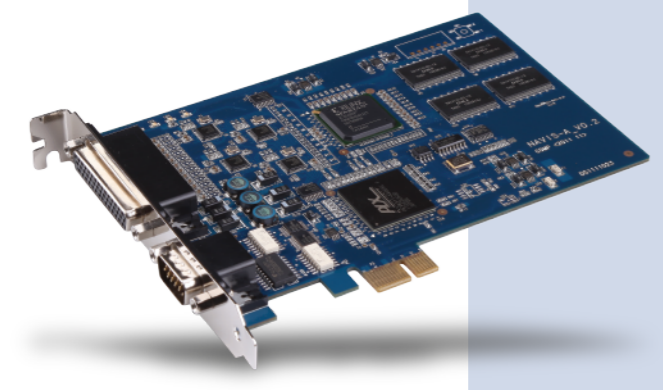
Analog | Mono | PCIe x1 | 4-Channel Sync/Async Grab | MUX | I/O | NEXL

Navis-A4

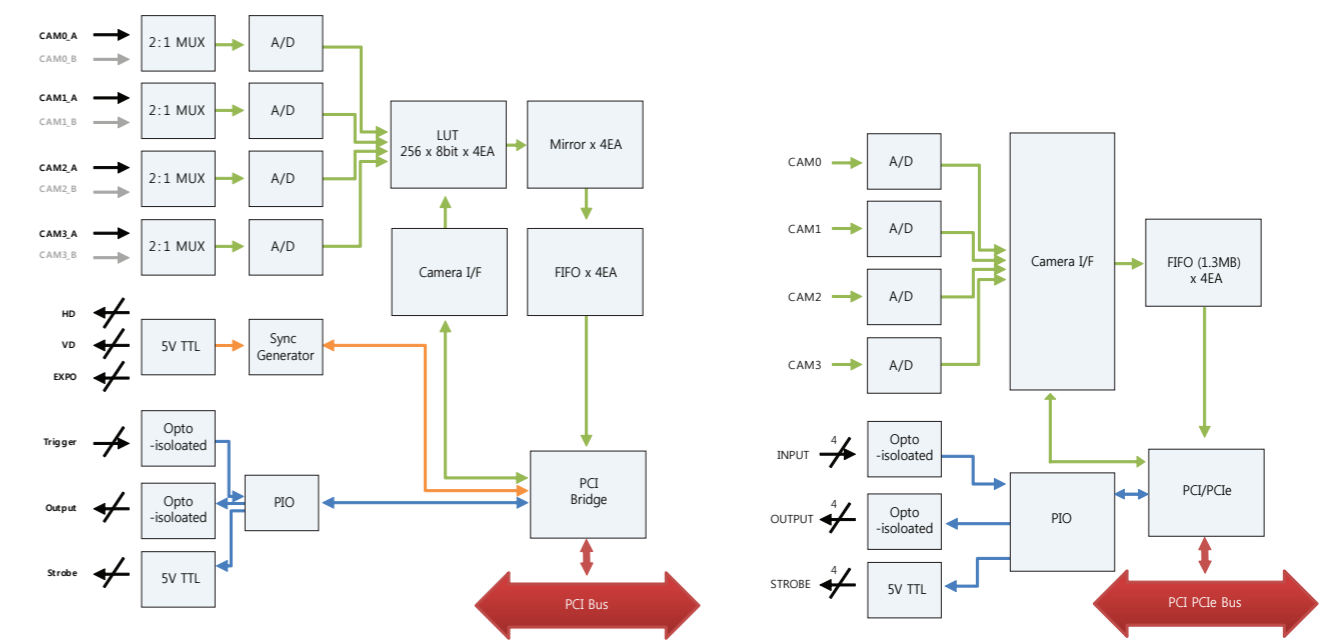


Navis-A

PCI-Express Image Acquisition Board
 Analog | NTSC/PAL/SECAM | PCIe x1 | 4-Channel | I/O | NEXL



B Block Diagram



BlueEye-A4 & Navis-A

Navis-A

S Specifications

Name	BlueEye-A4	Navis-A4	Navis-A
Form Factor	PCI Interface (spec 2.0 Compatible)	PCI-Express x1 Interface (spec 1.0a Compatible)	PCI-Express x1 Interface (spec 1.0a Compatible)
Camera	Four analog black & white cameras MUX support : MAX 8-Channel RS-170 / CCIR / Non-Standard Interlaced / Progressive Scan Camera External Trigger mode support		NTSC,PAL, SECAM 4-Channel support
Acquisition	4-Channel Sync/Async Real-time Image Capture 640x480 ~ 1600x1200 Resolution		4-Channel Real-Time Image Capture 640x480 Resolution Four Serial Port support
External I/O	Opto-isolated 4-Trigger / 4-Output / 4-Strobe		
Software	Windows XP / Windows 7 (32 / 64bit), NEXL		