

# Microscope image module

Adapting parallel light structure design

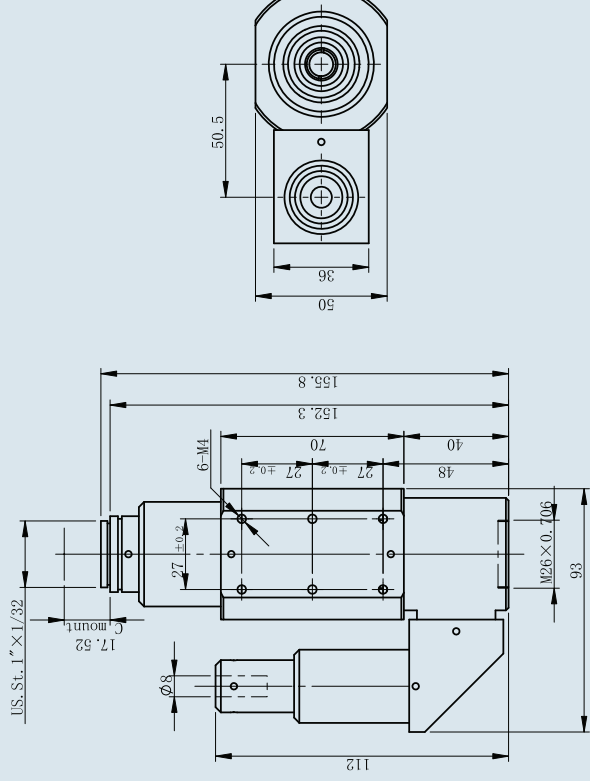
With coaxial illuminating

Excellent apochromatic design

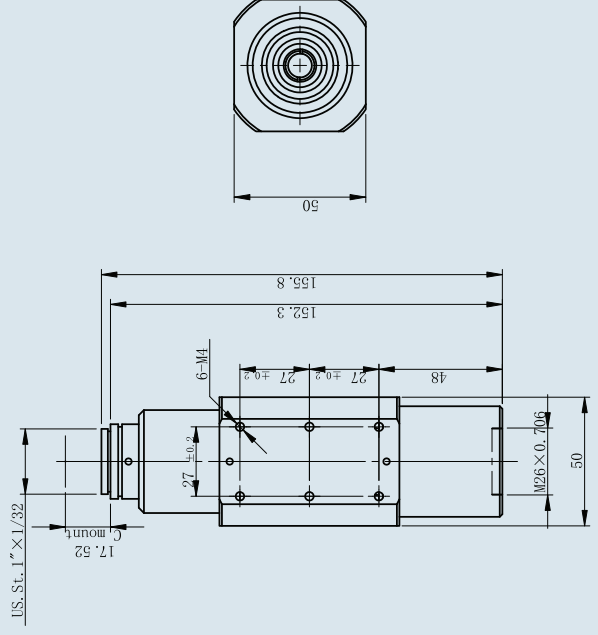
1. XF-VM adapting parallel light structure design, is compatible with infinity corrected microscope objective lenses.
2. Using apochromatic microscope objective lenses
3. With coaxial illuminating
4. Excellent apochromatic design ensure perfect image quality under ultra-long working distance.
5. Max support to 2/3" CCD



XF-VM



XF-VN



Model	Optical Magnification	N.A	WD(mm)	Resolution (μm)	DOF(μm)	Largest compatible CCD
M Plan/Apo 5X	5X	0.14	34	2.3	28	2/3
M Plan/Apo 10X	10X	0.28	34	1.2	7	2/3
M Plan/Apo 20X	20X	0.42	20	0.79	3.1	2/3
M Plan/Apo 50X	50X	0.55	13	0.6	1.8	2/3
M Plan/Apo 100X	100X	0.7	6	0.47	1.1	2/3