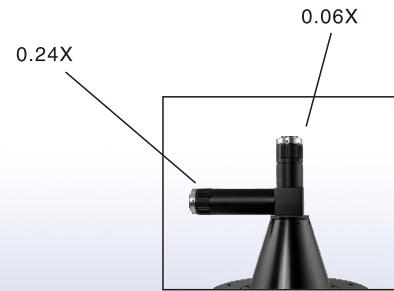


Pomeas Bi-Telecentric Lens DTCDM Series

PMS-DTCDM4-183



1. Dual ports, Bi-telecentric lens
2. Support 2 cameras with different magnifications
3. Large FOV, High DOF

Code		PMS-DTCDM4-183	
Magnification		0.06X	0.24X
Field Of View	1/4"	53.3mm×40.0mm	13.3mm×10.0mm
	1/3"	80.0mm×60.0mm	20.0mm×15.0mm
	1/2.5"	95.8mm×71.8mm	23.9mm×18.0mm
	1/2.3"	102.7mm×77.0mm	25.7mm×19.3mm
	1/2"	106.7mm×80.0mm	26.7mm×20.0mm
	1/1.8"	119.1mm×89.3mm	29.8mm×22.3mm
	2/3"	146.7mm×110.0mm	36.7mm×27.5mm
	1"	--	--
F.No.		8	12
TV Distortion		0.016%	0.001%
DOF		177.8mm	16.7mm
N.A.		0.004	0.01
Central MTF%@70IP/mm		>55	>65
Resolution		89um	34um
Max.Sensor Size		2/3"	2/3"
Object Side Telecentricity		< 0.05 °	< 0.05 °
Image Side Telecentricity		< 0.02 °	< 0.02 °
W.D.		390mm	
Length		514.5mm	
Diameter/Width		Ø 229.6mm	
Mount		C-mount	
Illumination		--	
Working Temperature		-10°C ~ +50°C	

Optional Accessories



Ring Illumination



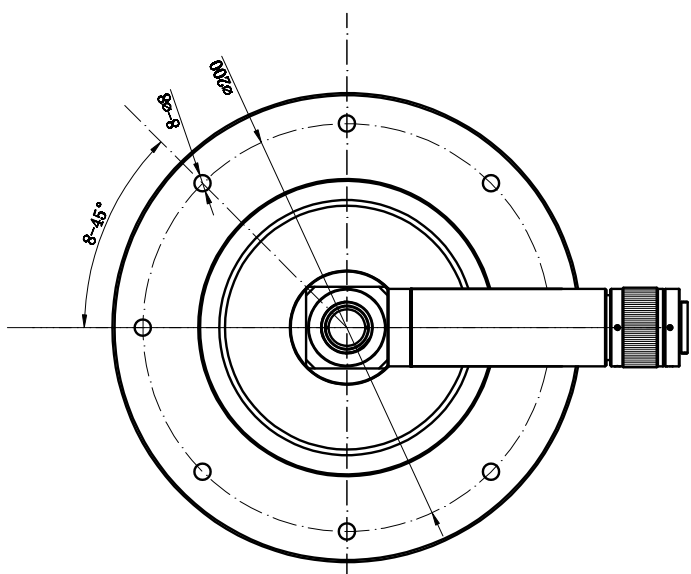
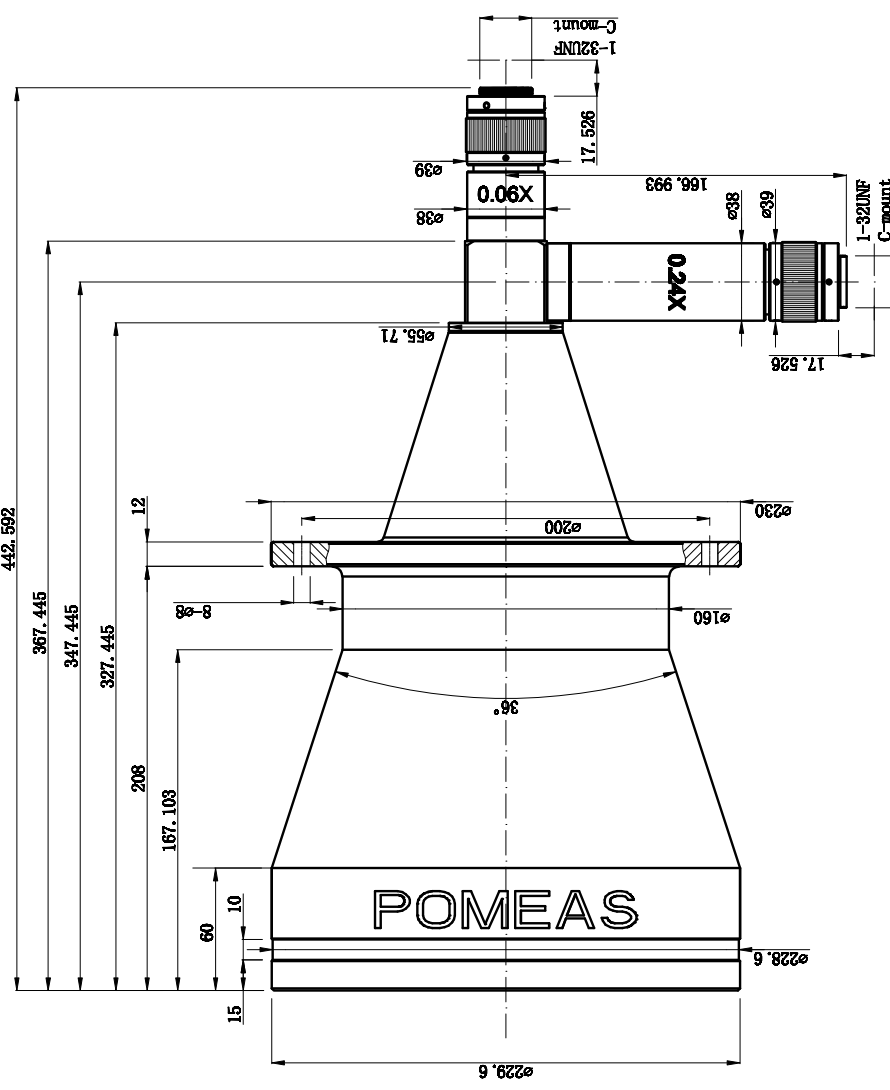
250Telecentric Illumination
PMS-LDT250



One-way Illumination Controller
PMS-ICT



Multi-way Illumination Controller
PMS-LP12V1AX2



Unit: mm	Scale	1:10
	Name	PMS-DTCDM4-183
0.0	Date	2012.9.13
1.0	POMEAS	
25.0		