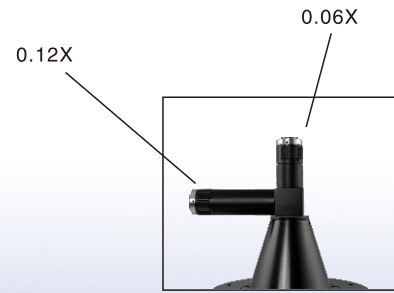


Pomeas Bi-Telecentric Lens DTCDM Series PMS-DTCDM2-183



1. Dual ports, Bi-telecentric lens
2. Support 2 cameras with different magnifications
3. Large FOV, High DOF

Code		PMS-DTCDM2-183	
Magnification		0.06X	0.12X
Field Of View	1/4"	53.3mm×40.0mm	26.7mm×20.0mm
	1/3"	80.0mm×60.0mm	40.0mm×30.0mm
	1/2.5"	95.8mm×71.8mm	47.9mm×35.9mm
	1/2.3"	102.7mm×77.0mm	51.3mm×38.5mm
	1/2"	106.7mm×80.0mm	53.3mm×40.0mm
	1/1.8"	119.1mm×89.3mm	59.6mm×44.7mm
	2/3"	146.7mm×110.0mm	73.3mm×55.0mm
	1"	--	--
F.No.		8	10
TV Distortion		0.016%	0.007%
DOF		177.8mm	55.6mm
N.A.		0.004	0.006
Central MTF%@70IP/mm		>55	>45
Resolution		89μm	56μm
Max.Sensor Size		2/3"	2/3"
Object Side Telecentricity		< 0.05 °	< 0.02 °
Image Side Telecentricity		< 0.02 °	< 0.02 °
W.D.		390mm	
Length		495.315mm	
Diameter/Width		Ø 229.6mm	
Mount		C-mount	
Illumination		--	
Working Temperature		-10°C ~ +50°C	

Optional Accessories



Ring Illumination



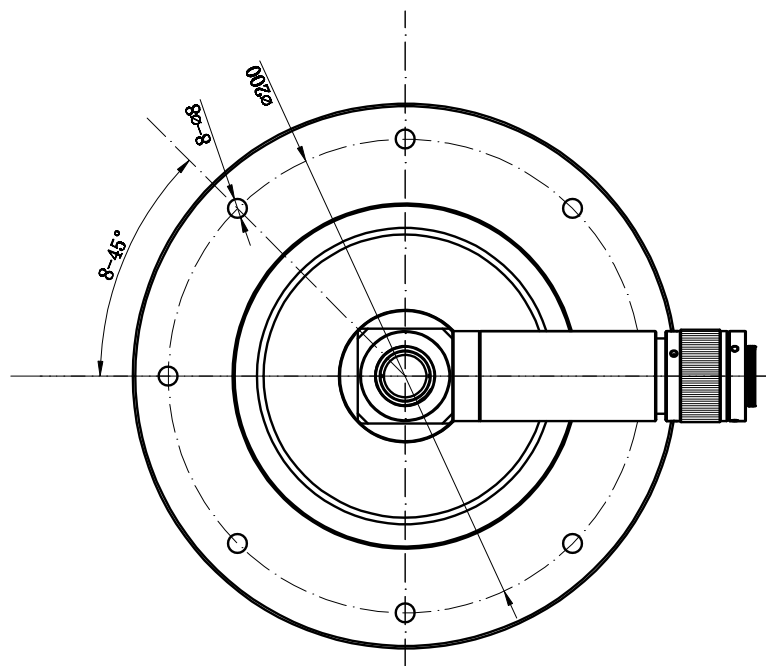
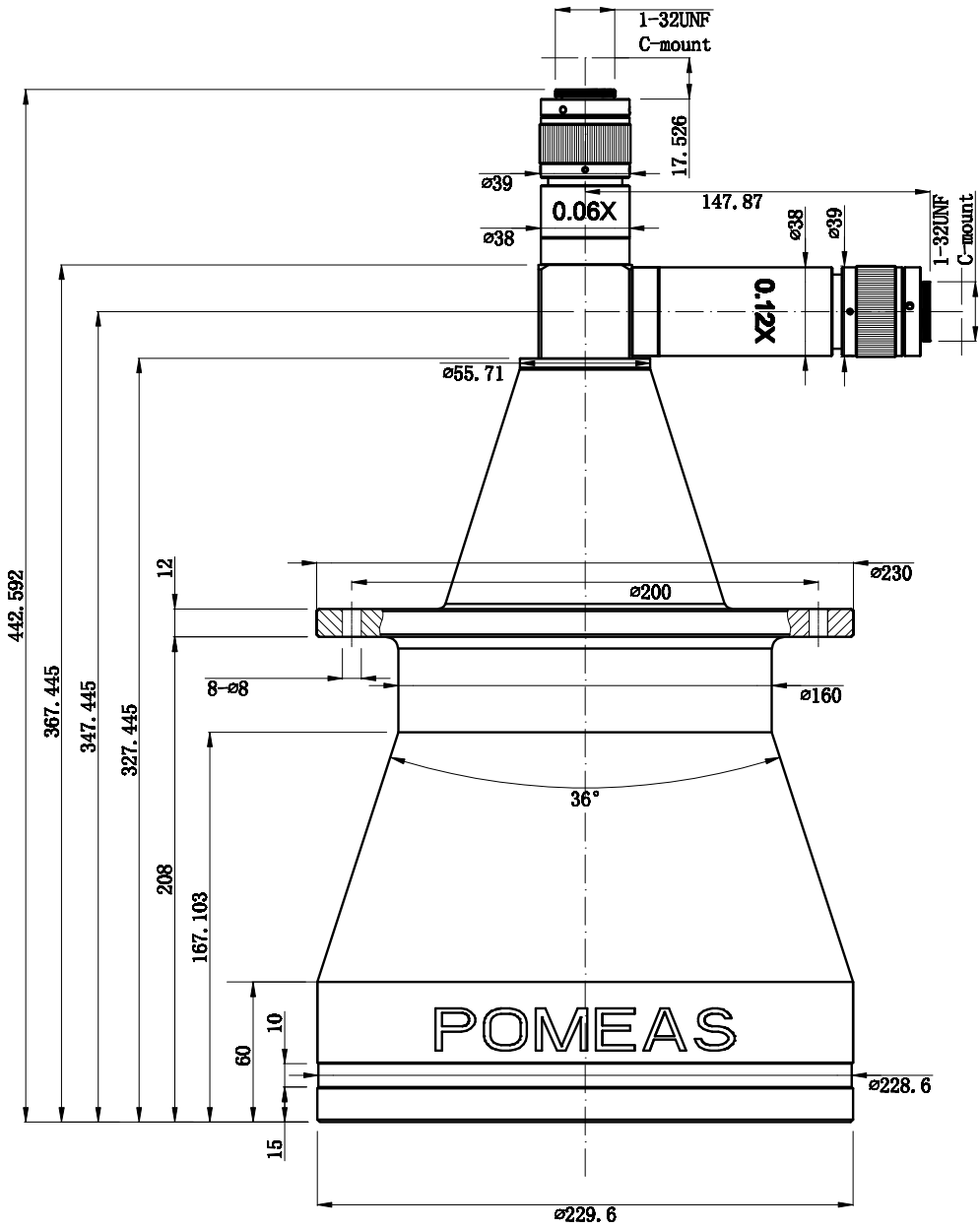
250 Telecentric Illumination
PMS-LTD250



One-way Illumination Controller
PMS-ICT



Multi-way Illumination Controller
PMS-LP12V1AX2



Unit:mm	Scale	1:10
	Name	PMS-DTCDM2-183
inch 1.0	Date	2012.9.13
mm 25.0	POMEAS	