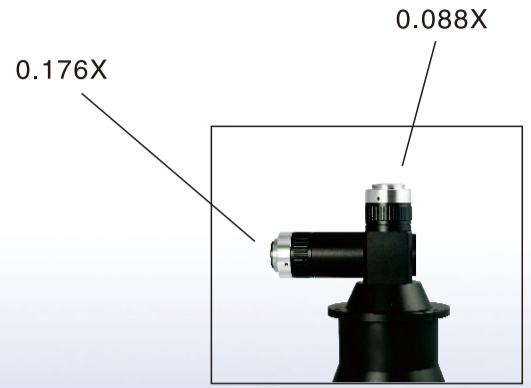


Pomeas Bi-Telecentric Lens DTCDM Series

PMS-DTCDM2-102



1. Dual ports, Bi-telecentric lens
2. Support 2 cameras with different magnifications
3. Large FOV, High DOF

Code		PMS-DTCDM2-102	
Magnification		0.088X	0.176X
Field Of View	1/4"	36.4mm×27.3mm	18.2mmx13.6mm
	1/3"	54.5mm×40.9mm	27.3mmx20.5mm
	1/2.5"	65.3mm×49.0mm	32.6mmx24.5mm
	1/2.3"	70.0mm×52.5mm	35.0mmx26.3mm
	1/2"	72.7mm×54.5mm	36.4mmx27.3mm
	1/1.8"	81.2mm×60.9mm	40.6mmx30.5mm
	2/3"	--	50.0mmx37.5mm
F.No.		4.46	8
TV Distortion		<0.05%	<0.05%
DOF		16mm	7.2mm
N.A.		0.011	0.011
Central MTF%@70IP/mm		>76%	>57%
Resolution		30.5um	30.5um
Max.Sensor Size		1/1.8"	2/3"
Object Side Telecentricity		<0.02 °	<0.02 °
Image Side Telecentricity		<0.3 °	--
W.D.		120mm	120mm
Mount		C-mount	C-mount
Illumination		--	--
Working Temperature		-10°C~+50°C	-10°C~+50°C

Optional Accessories



Ring Illumination



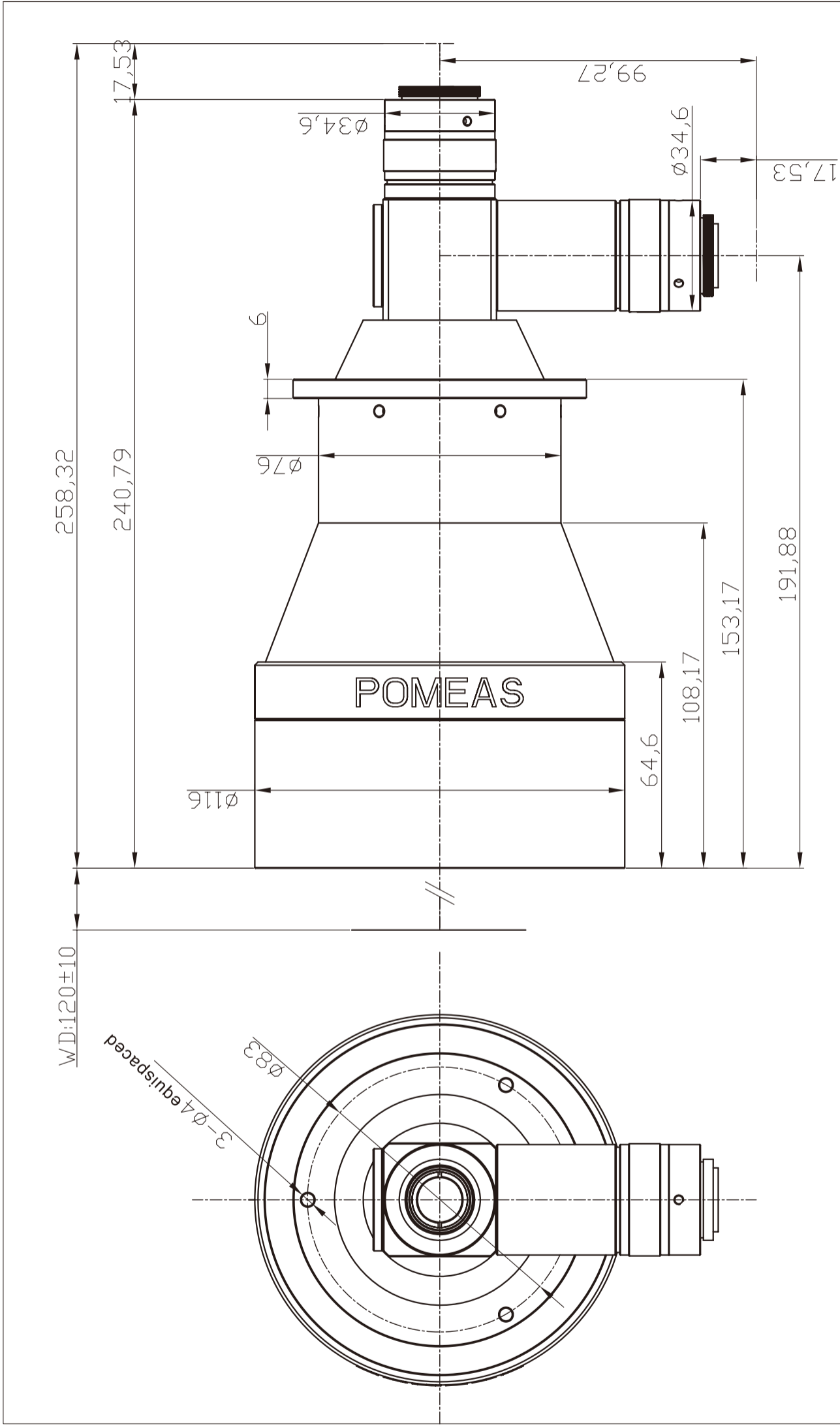
100 Telecentric Illumination
PMS-LDT100



One-way Illumination Controller
PMS-ICT



Multi-way Illumination Controller
PMS-LP12V1AX2



Unit:mm	Scale	1:5
	Name	PMS-DTCDM2-102
0.0 inch 1.0	Date	2014.4.16
0.0 mm 25.0	POMEAS	