

## Pomeas TC Standard Telecentric Lens Series

### PMS-2ST40-C

1. Support 1MP camera or below
2. Low distortion, high telecentricity and deep depth of field, more suitable for high precision positioning and measuring
3. Telecentric design
4. Support 1/2" sensor
5. Standard C-Mount



Max.Sensor Size  
1/2"

Magnification  
2.0X

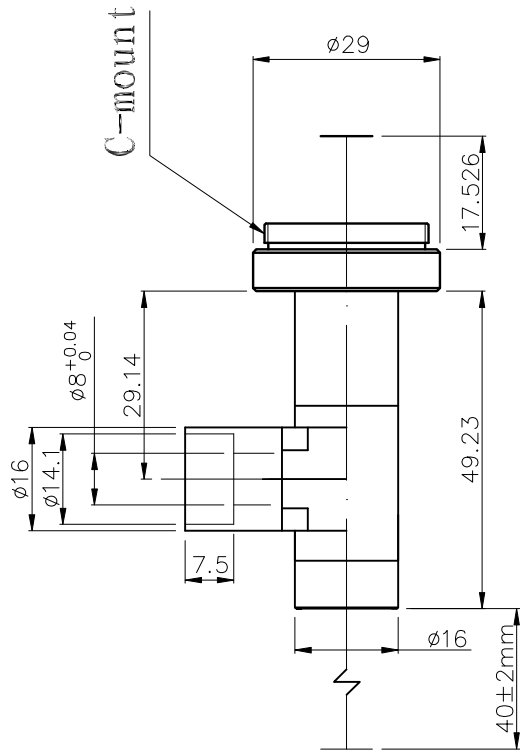
Working Distance  
40.4mm

Resolution  
3μm

C-Mount

Code		PMS-2ST40-C
<b>Magnification</b>		2.0X
<b>Field of View</b>	1/4"	1.6mm×1.2mm
	1/3"	2.4mm×1.8mm
	1/2.5"	2.9mm×2.2mm
	1/2.3"	3.1mm×2.3mm
	1/2"	3.2mm×2.4mm
<b>Working Distance</b>		40.4mm
<b>Resolution</b>		3μm
<b>F.No.</b>		10
<b>TV Distortion</b>		0.04%
<b>Depth of Field*1</b>		0.2mm
<b>N.A.</b>		0.1
<b>Max.Sensor Size</b>		1/2"
<b>Mount</b>		C-Mount
<b>Illumination</b>		Coaxial Illumination
<b>Working Temperature</b>		-10°C~+50°C

\*1: Theoretical calculating value(based on diameter of defocused spots is 0.04mm),in the reality application, take its 1/2 will gain the best effect.



Unit:mm	Scale	1:1
	Name	PMS-2ST40-C
	Date	2012.7.20
<b>POMEAS</b>		