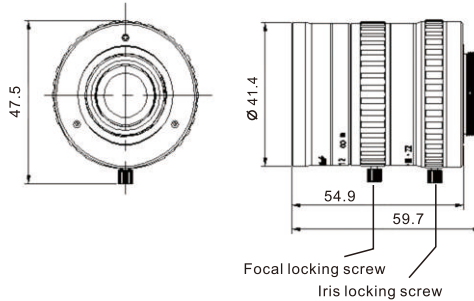


2/3"	5 Mega	MANUAL	C-mount	METAL
Max. Sensor Size	5 Mega Pixels	Manual Iris	C-mount	Metal Material



Unit : mm

- 1.Support 5 MP 2/3" camera
2. Focus and iris locking screw to ensure stable focusing
3. Low imaging distortion
4. Compact structure,excellent optical performance

Code		PMS-25MC5M	
Resolution		5 MP;160lp/mm (center) 125lp/mm (corner)	
Focal Length		25mm	
Iris Range		F1.4-F22	
Max. Sensor Size		2/3" (8.8mm X 6.6mm ϕ 11mm)	
Field of View (Diagonal x Horizontal x Verticle)	2/3"	24. 8°×20.0°×15.0°	
	1/2"	18. 1°×14.5°×10. 9°	
Focusing Range		0.2m-∞	
Object Dimensions		43.5mm X 34.8mm X 26.1mm	
Control	Focus	Manual	
	Iris	Manual	
Distortion	2/3"	-0.19%@y=5.5mm	
	1/2"	-0.17%@y=4.0mm	
Back Focal Length(in air)		12.78mm	
Mount		C-mount	
Filter Thread		M37.5×0.5mm	
Working Temperature		-10°C ~ +50°C	
Weight		148.0g	