

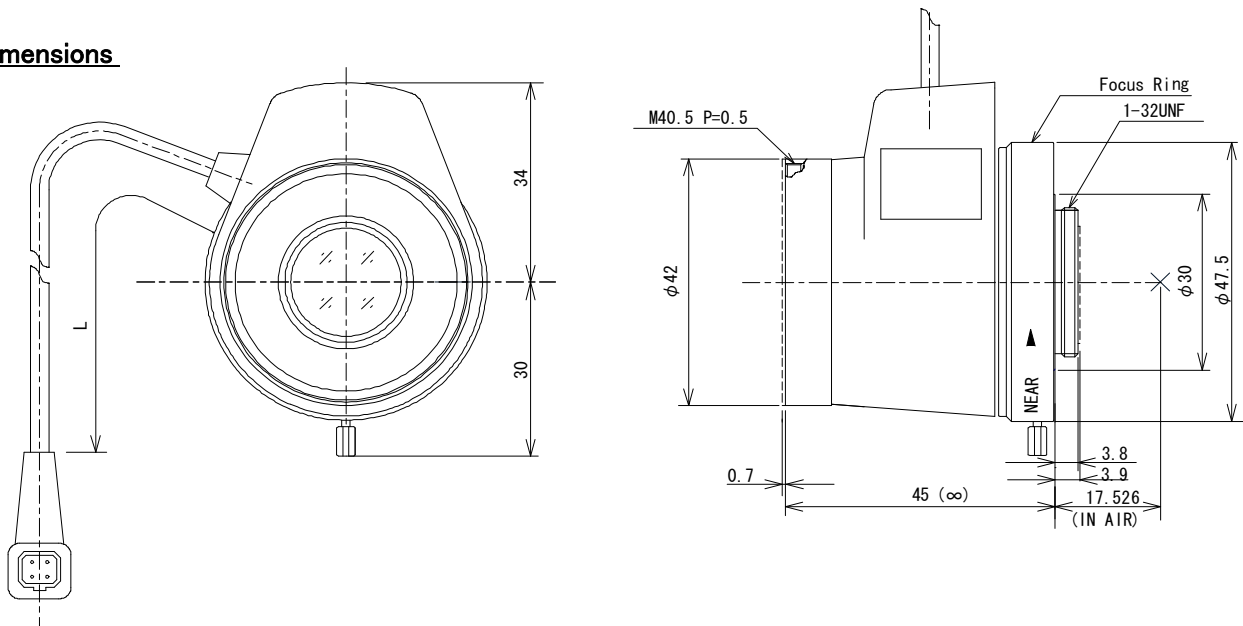
MG1218FC-MP

f=12mm F1.8

for 2/3 type 5 Megapixel Cameras, Fixed-focal, Auto Iris, DC Drive
C-Mount

| | | | | | | | |
|-----------------------|------------------------|--------------|--------------------|-------------|------------------------|----------|-------|
| Model No. | MG1218FC-MP | | Effective | Front | φ 20.0mm | | |
| Focal Length | 12mm | | Lens Aperture | Rear | φ 13.2mm | | |
| Max. Aperture Ratio | 1:1.8 | | Back Focal Length | | 15.0mm | | |
| Max. Image Format | 6.6mm x 8.8mm (φ 11mm) | | Flange Back Length | | 17.526mm | | |
| Operation Range | Iris | F1.8 - F360C | | Mount | C-Mount | | |
| | Focus | 1m - Inf. | | Filter Size | M40.5 × 0.5 | | |
| | Zoom | - | | Dimensions | φ 42mm × 57.8mm × 45mm | | |
| Control | Iris | DC Auto Iris | | Weight | 105.6 g | | |
| | Focus | Manual | | | | | |
| | Zoom | - | | | | | |
| Angle of View | D | 2/3 type | 48.0° | 1/2 type | 36.0° | 1/3 type | 27.4° |
| | H | | 39.3° | | 29.1° | | 22.0° |
| | V | | 30.0° | | 22.0° | | 16.6° |
| Coil | Drive | 190 Ω | | | | | |
| | Control | 1000 Ω | | | | | |
| Operating Temperature | -10°C - +50°C | | | | | | |

Dimensions



Wiring Diagram

