

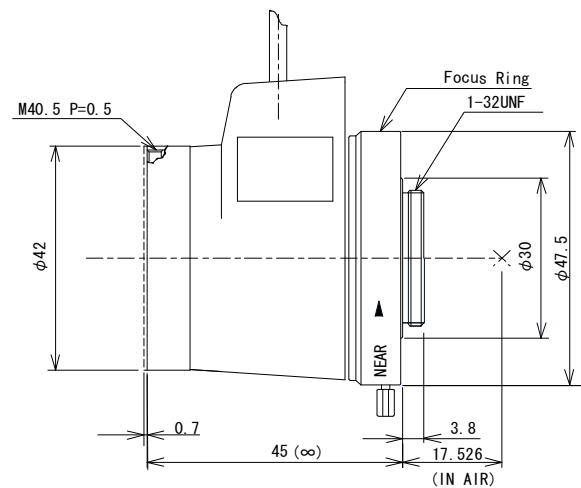
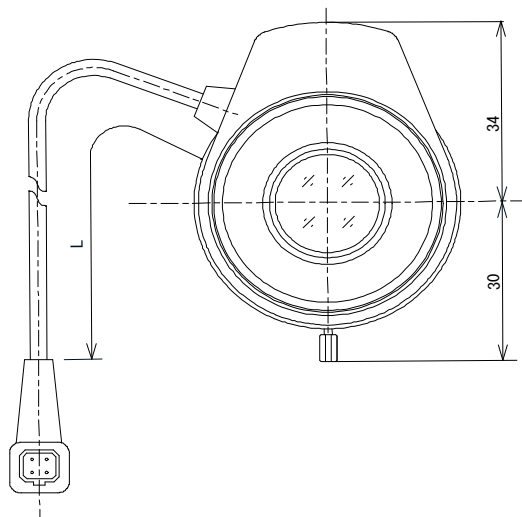
# MG0918FC-MP

f=9mm F1.8

for 2/3 type 5 Megapixel Cameras, Fixed-focal, Auto Iris, DC Drive  
C-Mount

Model No.	MG0918FC-MP		Effective	Front	$\phi$ 20.1mm		
Focal Length	9mm		Lens Aperture	Rear	$\phi$ 12.4mm		
Max. Aperture Ratio	1:1.8		Back Focal Length		14.8mm		
Max. Image Format	6.6mm x 8.8mm( $\phi$ 11mm)		Flange Back Length		17.526mm		
Operation Range	Iris	F1.8 - F360C		Mount	C-Mount		
	Focus	1m - Inf.		Filter Size	M40.5 $\times$ 0.5		
	Zoom	-		Dimensions	$\phi$ 42mm $\times$ 57.8mm $\times$ 45mm		
Control	Iris	DC Auto Iris		Weight	107 g		
	Focus	Manual					
	Zoom	-					
Angle of View	D	2/3 type	63.4°	1/2 type	47.8°	1/3 type	36.4°
	H		52.1°		38.7°		29.3°
	V		39.9°		29.3°		22.1°
Coil	Drive	190 $\Omega$					
	Control	1000 $\Omega$					
Operating Temperature	-10°C - +50°C						

**Dimensions**



**Wiring Diagram**

