

MFA230-5M16

16mm Focal Length, support 2/3" 5M sensor

Features

- Macro Designed For Machine Vision Application
- High Resolution, High Contrast, and Low Distortion
- Work with 1/3"-1" Format Camera and Focal Length is From 8mm-100mm
- Perfect Substitute For FA Lens From Japan Like Tamron, CBC, VST, RICOH ect.

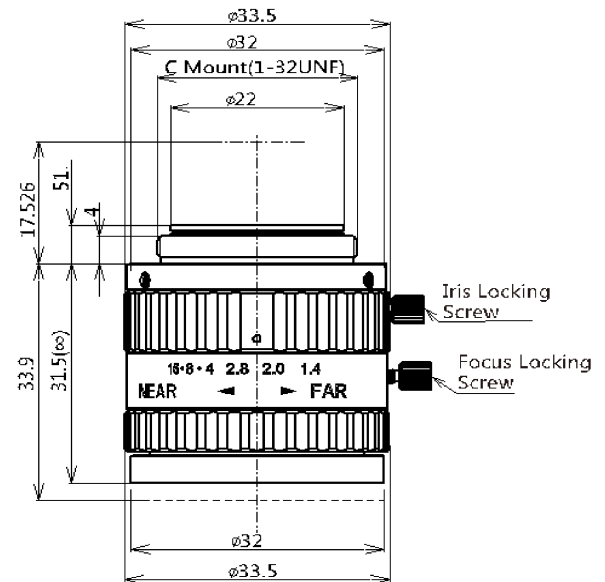


Optical Specifications

Focal Length(mm)	16
Aperture(f/#)	F1.4-16
Minimum Focus Distance(m)	0.3
Flange Back(mm)	17.526
Back Focal Length(mm)	12.7

Mechanical Specifications

Mount	C
Diameter of Filter Installed Interface	M30.5×0.5
Before/After Effective Diameter	Φ19/Φ14.2
Weight(g)	



Other Lens Specifications

CCD	2/3"	1/2"	1/3"	
Optical Distortion	0.10%	0.30%	0.10%	
Field of View	H	30.3°	22.3°	16.8°
	V	23.0°	16.8°	12.6°
	D	37.3°	27.8°	20.9°