

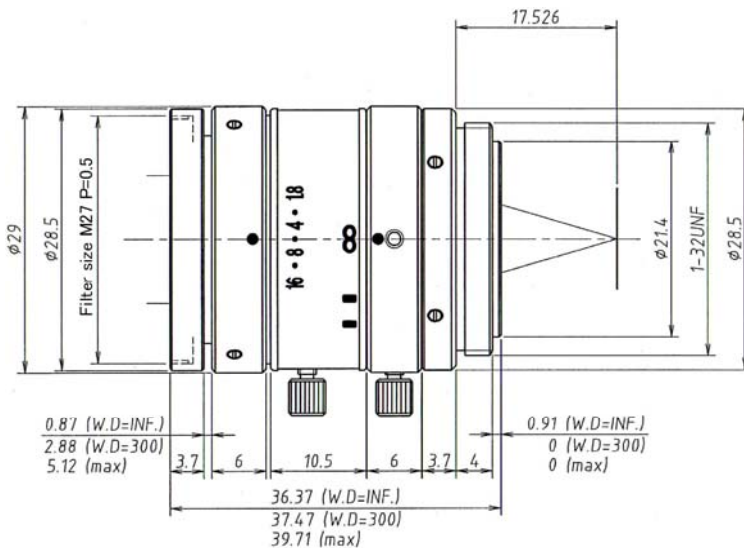
M2518-MPW2

f=25mm F1.8
for 2/3 type Cameras, 5 Megapixel
C-Mount

Model No.	M2518-MPW2		Effective	Front	φ 18.0mm		
Focal Length	25mm		Lens Aperture	Rear	φ 13.0mm		
Max. Aperture Ratio	1:1.8		Distortion	2/3 type	0.03%(y=5.5)		
Max. Image Format	8.8mm x 6.6mm(φ 11mm)			1/1.8 type	-0.02%(y=4.32)		
Operation Range	Iris	F1.8 - F16.0		1/2 type	-0.02%(y=4.0)		
	Focus	0.2m - Inf.		Back Focal Length	13.8mm		
Control	Iris	Manual		Flange Back Length	17.526mm		
	Focus	Manual		Mount	C-Mount		
Object Dimension at M.O.D.	2/3 Type	5.48cm x 7.31cm		Filter Size	M27.0 P=0.5mm		
	1/1.8 Type	4.32cm x 5.73cm		Dimensions	φ 29mm x 36.37mm		
	1/2 Type	3.98cm x 5.31cm		Weight	60.0g		
Angle of View	D	2/3 Type	24.6°	1/1.8 Type	19.5°	1/2 Type	18.1°
	H		19.9°		15.7°		14.5°
	V		15.0°		11.8°		10.9°
Operating Temperature	-10°C - +50°C						

M.O.D. : Minimum Object Distance

Dimensions



Working Distance (mm)	Optical Magnification	Extension Ring (mm)	Field of View(mm)					
			2/3"		1/1.8"		1/2"	
			H	V	H	V	H	V
500	-0.049	-	178.2	133.7	139.8	105.4	129.7	97.3
450	-0.055	-	160.7	120.6	126.1	95.0	116.9	87.7
400	-0.061	-	143.2	107.4	112.3	84.7	104.2	78.1
350	-0.070	-	125.7	94.3	98.6	74.3	91.4	68.6
300	-0.081	-	108.2	81.1	84.8	63.9	78.7	59.0
250	-0.097	-	90.7	68.0	71.1	53.5	65.9	49.4
200	-0.121	-	73.1	54.8	57.3	43.2	53.1	39.8
150	-0.159	0.5	55.6	41.6	43.5	32.8	40.4	30.3
100	-0.233	5	38.0	28.5	29.8	22.4	27.6	20.7

Field of View = CCD Size / Optical Magnification



Head Quarters
2-15-13, Tsukishima, Chuo-ku, Tokyo 104-0052, Japan
Tel : +81 (0)3 3536 4851 Fax : +81 (0) 3 3536 4841
http://www.cbc.co.jp

Tokyo HQ Registered

Tokyo HQ Registered

