



hr120CCL

HR Camera Link



Camera Link offers high data rates, deterministic timing and very direct access to the image sensor. Our high resolution industrial cameras with Camera Link provide a wide range of core features:

- > User defined defect pixel correction
- > ROI, LUT, binning, gamma, offset
- > Integrated multi channel LED strobe controller
- > Industrial TTL-24V I/O interface with SafeTrigger, programmable logic functions, sequencers and timers, RS232
- > Power over Camera Link (PoCL)

Technical Highlights

Camera Link has its advantages regarding data transfer speed, a deterministic timing and a very direct access to the imaging sensor itself. Thus it permits settings and operating modes that are not available with other interfaces.

SVS-Vistek GmbH - Mühlbachstraße 20 - 82229 Seefeld - Germany - Telephone +49 8152 9985-0
Information accurate as to: 14.03.2018, errors and omissions excepted.
© 2018 – SVS-Vistek GmbH, all rights reserved.

HR Series

hr120CCL

Resolution	13272 x 9176 px
Frame rate (max.)	6.7 fps
Chroma	color
Interface	Camera Link 80-Bit

Sensor

Sensor	120MXSC
Manufacturer	Canon
Sensor type	Area CMOS
Shutter type	rolling shutter
Sensor size (h x v)	29.2 x 20.19 mm
Optical diagonal	35.5 mm
Sensor format	APS-H
Pixel size (h x v)	2.2 x 2.2 μ m

Camera

Exposure modes	MANUAL; AUTO
Trigger modes	INTERNAL; SOFTWARE; EXTERNAL
Exposure time (min)	40 μ s
Exposure time (max)	1 sec (external ∞)
Pixel format / max	bayer8, bayer10 / 10 bit
Gain modes / max	manual, auto / 8 dB
Pixel clock	85 MHz
Internal memory	512 MB SDRAM, 160 MB Flash

Feature Set

Manual white balance	yes
Automatic white balance	yes
AOI	yes
LUT	yes
Offset	yes
Binning	yes
Shading correction	yes (external)
Defect pixel correction	yes

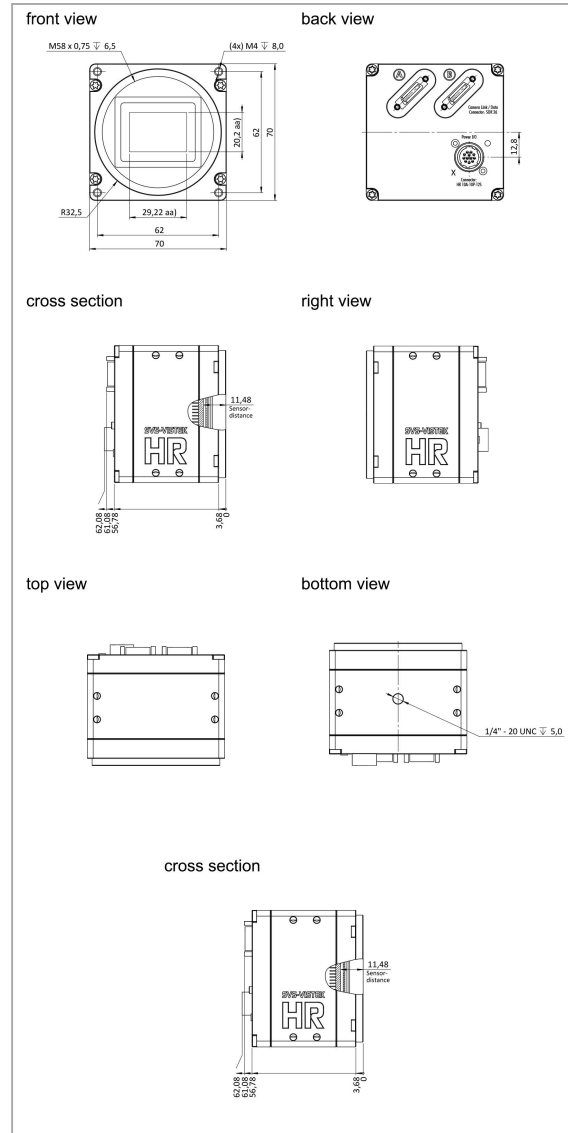
Housing

Lens mount	M58
Dimensions (w x h x d)	70 x 70 x 51 mm
Weight	380 g
Operating temperature	-10 to 55 $^{\circ}$ C
Ambient humidity	10 to 90 % (non-condensing)
Protection class	IP30

I/O-Interfaces

Input up to 24V	2 x
Input OPTIO	1 x
Output open drain	4 x
I/O RS-232	1 x
Power supply	10 to 25 V (DC)
Power consumption	12 W (dep. on operating mode)

Dimensions [mm]



Pinout

Hirose 12 Pin	1	2	3	4	5	6	7	8	9	10	11	12
	VIN - (GND)	VIN + (10V to 25V DC)	IN 4 (RXD RS232)	OUT 4 (TXD RS232)	IN 1 (0-24V)	IN 2 (0-24V)	OUT 1 (open drain)	OUT 2 (open drain)	IN 3 + (opto In +)	IN 3 - (opto In -)	OUT 3 (open drain)	OUT 0 (open drain)